

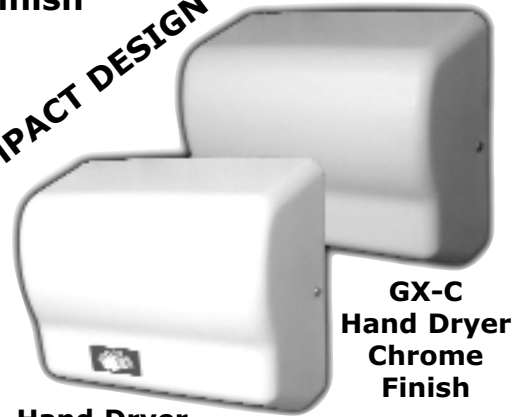
# Global™ GX Automatic Hand Dryers

White ABS • Steel with White Epoxy or Chrome Finish

## Features:

- Exceptional Value & Performance
- Maintenance-Free Vandal Resistant Design
- Quiet Dependable Operation
- Up to 3-Year Limited Warranty

COMPACT DESIGN



GX- Hand Dryer  
White Finish

GX-C  
Hand Dryer  
Chrome  
Finish

## Overview:

The new GX automatic hand dryers offer the best value in a maintenance-free hand dryer. The GX is designed to provide many years of trouble-free service. The stylish new design provides great performance while consuming less electricity.

Options include a heavy-duty steel cover with a durable white enamel finish or a chrome plated satin finish.

## Construction Features:

**Cover** - One piece heavy duty, flame retardant ABS polymer with white finish. Optional one-piece 18 gauge steel cover finished with electrostatically applied chip resistant white powder epoxy finish (M) or chrome plated satin finish (C). Cover is secured with two tamper-resistant screws.

**Motor** - Permanently lubricated, maintenance-free, brushless induction motor with automatic resetting thermal protector. 1/12 HP, 3250 RPM.

**Automatic Sensor** - 100% solid state design eliminates relay contact failures. Microprocessor controlled infrared sensor turns dryer on when hands are under the air outlet. Dryer turns off when hands are removed. Override turns off in 80 seconds if hands are not removed.

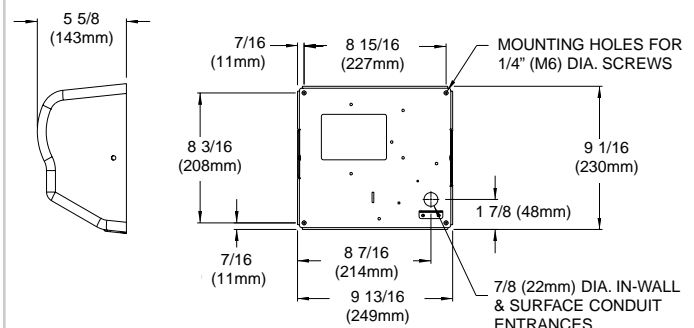
**Heating Element** - Constructed of NiChrome resistance wire with automatic resetting thermostat. Heating element operates in the black range for maximum life.

## Model Reference Chart

MODEL			ELECTRICAL RATINGS			
ABS White	Steel White	Steel Chrome	Volts	Amps	Watts	Hertz
GX1	GX1-M	GX1-C	110-120	12	1500	50/60
GX3	GX3-M	GX3-C	208-240	6	1500	50/60

Specifications:	
<b>Air Flow</b>	140 CFM (Cubic Feet per Min.)
<b>Air Velocity</b>	5000 LFM (Linear Feet per Min.)
<b>Air Temp</b>	130-145°F at 72°F Ambient
<b>Dimensions</b>	10-1/8" W X 9-3/8" H X 5-5/8" D (25.7cm W X 23.8cm H X 14.3cm D)
<b>Shipping Weight</b>	ABS 8 lbs (4 Kg), Steel 10 lbs (5 Kg)
<b>Mounting Heights</b> (From floor to bottom of hand dryer)	Men 44" (112 cm) Women 42" (107 cm) Children 32"-42" (81-107 cm) Handicapped 36" (91 cm)
<b>Warranty</b>	3-year limited warranty GX-M/C 2-year limited warranty GX- Includes <b>same day</b> factory repair or part replacement. Warranty period includes sensor. See owner's manual for details.

## Dimensional Drawing



For more information:  
[www.americandryer.com](http://www.americandryer.com)  
 PH: 800.485.7003 U.S. • 734.421.2400

# Global GX Automatic Hand Dryers

White ABS • Steel with White Epoxy or Chrome Finish

## Architect's 3-Part Specification:

SECTION 10811 - ELECTRIC HAND DRYERS

### PART 1 GENERAL

#### 1.1 SECTION INCLUDES

Warm-air self contained hand dryers

#### 1.2 RELATED SECTIONS

A. Section 16100- Wiring Methods: Electrical supply, conduit, wiring, boxes, and wiring devices for hand dryers.

#### 1.3 REFERENCES

A. ICC/ANSI A117.1 American National Standard for Accessible and Usable Buildings and Facilities; 1998

#### 1.4 SUBMITTALS

- A. Submit under provisions of Section 01300
- B. Product Data: Manufacturer's data sheets on each product to be used.
- C. Drawing showing dimensions & method of attachment.

#### 1.5 QUALITY ASSURANCE

- A. Manufacturer Qualifications: Company specializing in manufacturing electric hand dryers with 10 years minimum experience.
- B. Hand Dryers: Certified by Underwriters Laboratory, Inc., with UL labels.
- C. Provide and install in compliance with ICC/ANSI A117.1.

#### 1.6 WARRANTY

- A. Provide manufacturer's standard limited warranty for period specified.

### PART 2 PRODUCTS

#### 2.1 MANUFACTURERS

- A. Acceptable Manufacturer:  
American Dryer, Inc.,  
12932 Farmington Road  
Livonia, MI 48150 U.S.A.  
Tel: (734) 421-2400. Fax: (734) 421-5580.  
www.americandryer.com.
- B. Substitutions: Not permitted.
- C. Requests for substitutions will be considered in accordance with provisions of Section 01630

#### 2.2 ELECTRIC HAND DRYERS

- A. Hand Dryer: Warm air, electric hand dryer; surface mounted.
  1. Warranty Period: 3/2 years limited warranty.
  2. Controls: Automatic, activated by infrared optical sensor. Operates while hands are under blower. Shut-off within 3 seconds when hands removed, or in 80 seconds if hands not removed.
  3. Cover: One piece, heavy duty, flame retardant 1/8" thick ABS or 16 gage stamped steel.
  4. Finish: Electrostatically applied, chip resistant, white epoxy.
  5. Finish: Satin chrome plated.
  6. Air Intake: Inlet openings on bottom of cover.
  7. Air Outlet: Delivers focused air stream at average hand position of 4 inches (102mm) below outlet.

8. Back Plate: Stamped steel, with (4) 1/4 inch (6 mm) diameter holes for surface mounting to wall and (1) 7/8 inch (22mm) diameter holes for electrical wiring; bottom hole for surface conduit.
9. Size: 10-1/8" W X 9-3/8" H X 5-5/8" D (25.7cm W X 23.8cm H X 14.3cm D)  
GX Weight: 8 pounds (4 kg)  
GX-M/C Weight: 10 pounds (5Kg)
10. Power Source: 110/120 V, 12 A, 50/60Hz
11. Power Source: 208/240 V, 6 A, 50/60 Hz
12. Motor: Brushless shaded pole induction motor with ball bearings.
13. Heater: Nichrome wire element with automatic resetting thermostat mounted inside blower housing.
14. Air Temperature: 135 degrees F (55 degrees C)

### PART 3 INSTALLATION

#### 3.2 INSTALLATION

- A. Remove cover by removing (2) tamper proof-screws using security wrench supplied. Pull cover directly toward you. **IMPORTANT: Save security wrench.**
- B. Dryers should be placed at least 2 feet (61cm) apart and at least 12" (30cm) from washbasin. Do not install dryer over washbasin. Automatic dryers should be at least 18" (46cm) above any projection which may interfere with the operation of the automatic sensor.
- C. Mark the locations of the four mounting holes and the conduit entrance location on the wall. (The conduit entrance is the proper hole diameter for 1/2 inch (13mm) conduit.)
- D. Fasten the backplate to the wall using the following recommended fasteners; Wood wall – No. 14 (M6) wood screws, 2 3/4" (70mm) long, Cement or brick – 1/4" (M6) stud expansion bolts, 3" (76mm) long, Hollow wall – 1/4" (M6) toggle bolts, length depends on wall thickness
- E. Run service wire to the dryer location and connect to lead wires. All units must be supplied with 3 wire service. Use No. 12 or 14 wire as required by local electrical code. The ground wire must be connected to the dryer ground screw. Unit must be installed by a qualified licensed electrician. Connect to a dedicated circuit NOT to exceed 20 amps. Dryers located in shower rooms or other wet locations should be equipped with ground fault interrupter(s).
- F. Carefully replace the cover using (2) tamper-proof screws supplied.

### OPERATING COSTS

The only operating cost for the GX series hand dryer is electricity. Based on a cost of \$0.10 per KWH:

Cost per 1,000 hand dryings

GX series	\$1.92
Paper Towels	\$20.56

American Dryer, Inc.

12932 Farmington Road • Livonia • MI • 48150 U.S.A.  
www.americandryer.com • Email: sales@americandryer.com  
PH 734.421.2400 • FAX 734.421.5580

© 1999-2004 American Dryer, Inc. All rights reserved. Specifications subject to change without notice. Revised September 2004