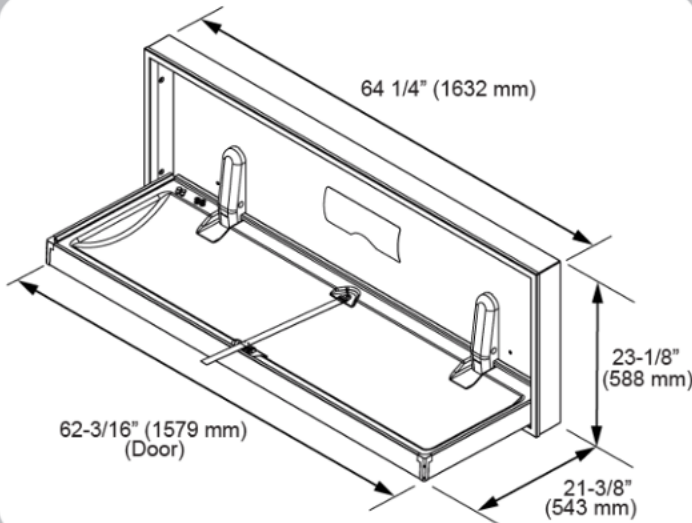




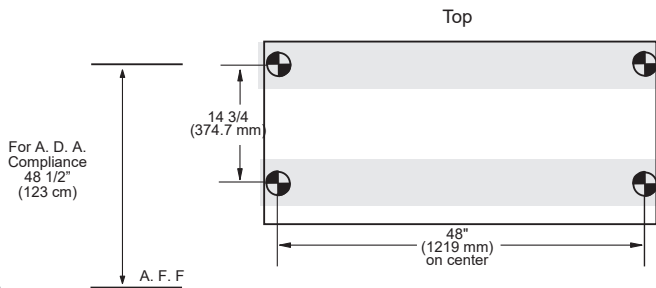
BABY CHANGERS MADE BY BABY EXPERTS.™

Submittal Sheet

Model 100SSE-SM Extended Special Needs Full Stainless Steel Diaper Changing Station



Recommended Blocking Surface Mount



Installation Information

- Closed unit projects from wall 4" (100 mm).
- Open unit projects from wall 21-3/8" (543 mm) when in use.

- Full body 16 gauge, 304 brushed stainless steel.
- Extended ABS replaceable tray liner / changing surface.
- Rated to support a static load of 400 pounds (181 kg).
- Adult or physically challenged changing station ideal for schools, nursing homes and hospitals.
- Smooth nylon belt with Thermoplastic Polyurethane coating. Easy to sanitize and adjustable with one hand.
- Full stainless steel frame and hinges provide maximum durability.
- Easy to read ANSI compliant labels (ANSI Z535.3 and ANSI Z535.4), utilizing universal safety symbols.
- Two pneumatic gas shock mechanisms to ensure smooth, safe open and close motions.
- Includes universal changing station door sign.
- Extended length of 62 inches (1545 mm).
- Surface-mounted installation. Mounting hardware for existing or new construction included.
- Limited Warranty: This product is warranted against manufacturing defects for a period of 5 years.

Short Specifications

Full 304 brushed stainless steel exterior with replaceable vacuum-formed ABS changing surface. Surface-mounted.

1. A.D.A Compliant attached safety strap with cam-buckle.
2. Acceptable product: Foundations Worldwide, Inc.; 100SSE-SM (Extended Full SS Horizontal Surface Mount).
3. Characteristics:
 - a. Entire body 16 gauge, 304 brushed stainless steel, seamless welds.
4. Equipped with two pneumatic cylinders (shocks).
5. Smooth nylon belt with Thermoplastic Polyurethane coating. Easy to sanitize and adjustable with one hand.
6. 400 lb. (181 kg) load rating exceeds ASTM F2285 requirements for weight bearing changing stations.
7. **A.D.A. Compliance:**
 - 306.3 Knee Clearance
 - 307.2 Maximum Protruding Objects
 - 308.2 Forward Reach
 - 308.3 Side Reach
 - 309.4 Operation
 - 902.3 Work Surface
 Compliant when properly installed.
8. ANSI compliant safety labels.
9. CPSIA compliant to applicable sections.

