



# AMERICAN SPECIALTIES, INC.

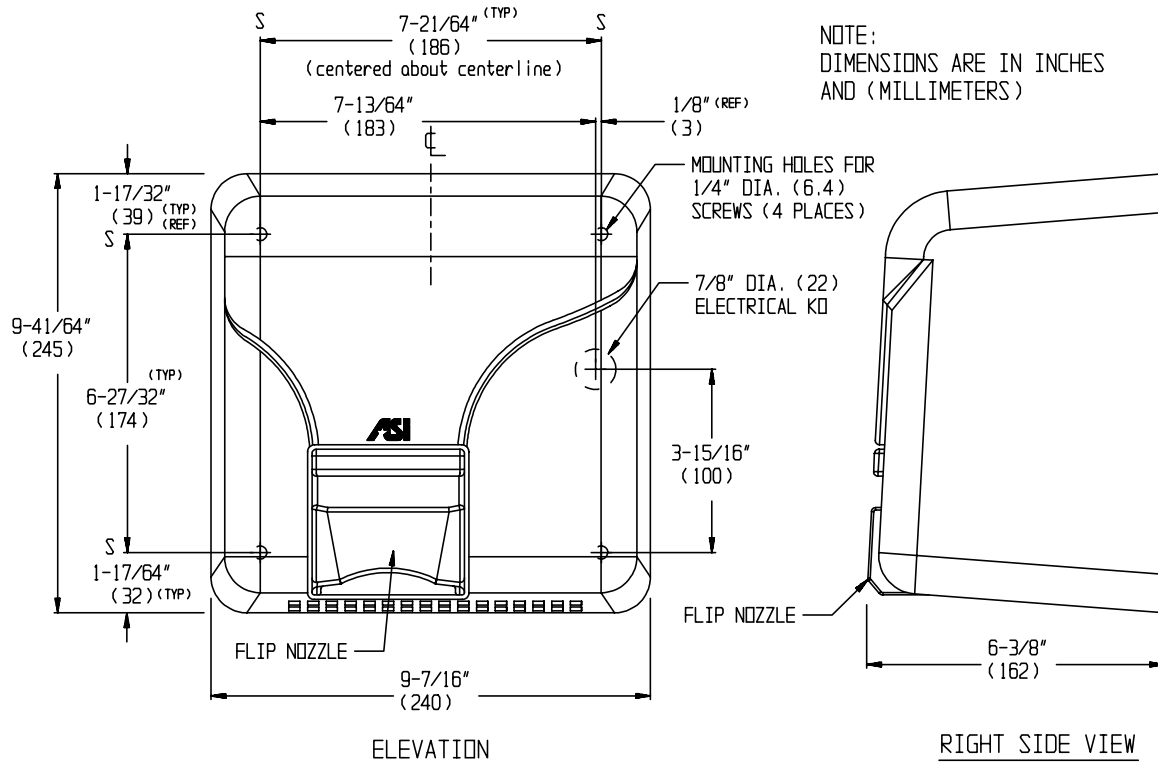
441 Saw Mill River Road, Yonkers, NY 10701 (914) 476-9000  
www.americanspecialties.com

MODEL No: 0141-0144

ISSUED: 2-07

REVISED:

## SURFACE MOUNTED SENSOR HAND AND FACE DRYER (pg 1/2)



### SPECIFICATION

Surface Mounted Automatic Hand and Face Dryer shall operate automatically from IR sensor that shall activate dryer when hands are placed in sensor zone. Motor and heating element shall have internal resetting automatic thermal protection. Cover shall be fabricated of one-piece, heavy-duty cast aluminum 7/64" (.109", 2.8) thick, and shall have all exposed surfaces finished with acid, chip and scratch resistant epoxy enamel. Chrome plated flip nozzle shall be heavy duty, rust proof and tamper resistant. Back plate shall be a heavy duty, formed corrosion protected steel plate. Air intake and nozzle shall not allow access to internal parts. Circuitry shall have fail-safe off protection to prevent hold-on. Circuitry shall have a preset start-up delay to eliminate false triggers such as close proximity of passers-by and also a preset delay from last trigger to provide continuous drying time as hands are moved in and out of sensor zone. Sensor shall have an adjustable triggering distance. Entire unit shall be internally electrically grounded. Dryer unit shall have cUL<sup>®</sup> US approval and be listed under the re-examination services of Underwriters Laboratories, Inc. Unit shall be warranted against defects in materials or workmanship for ten (10) years. Owner's Manual shall be provided with unit in carton.

**Surface Mounted Sensor Hand & Face Dryer shall be Model N°0141 (or N°0144) of American Specialties Inc., 441 Saw Mill River Road, Yonkers, NY 10701-4913 .**

### INSTALLATION

Unit is surface mounted on wall with four (4) 1/4" (M6) screws (supplied) through holes provided in back plate. For masonry walls use expansion bolts or anchors for 1/4" (M6) screws. Electrical service is supplied and connected (by others) prior to installing cover. Cover is secured to back plate with two (2) tamper-resistant lock screws (supplied) using key wrench provided. For compliance with ADA Accessibility Guidelines, install unit so that bottom edge of dryer is 48" (1219) max. AFF. For general utility install unit so that bottom edge of dryer is 45" to 50" (1143 to 1270) AFF. For two or more dryers, dryers should be no closer than 24" (610) on center. Installation Template shall be provided with unit in carton.

### OPERATION

Dryer is activated by user placing hands under sensor. Dryer automatically shuts off after time-out when user removes hands from sensor zone. User manually tilts flip nozzle for face drying and holds it in position. Nozzle automatically returns to hand position when unit turns off.

Accessory Specialties

AMERICAN DISPENSER

Desert Ray Products

WATROUS INC.



# AMERICAN SPECIALTIES, INC.

441 Saw Mill River Road, Yonkers, NY 10701 (914) 476-9000  
www.americanspecialties.com

MODEL No: 0141-0144

ISSUED: 2-07

REVISED:

## SURFACE MOUNTED SENSOR HAND AND FACE DRYER (pg 2/2)

### RATINGS

MODEL	TYPE	VOLTS HERTZ	AMPS	KW	HEATING ELEMENT TYPE AND THERMAL PROTECTION		OUTPUT AIR TEMPERATURE
0141	Flip Type Nozzle for Hand and Face	120VAC-50/60Hz	15	1.8	1704 Watt Nichrome wire with auto reset circuit breaker		127° F (53° C) @ 77° F (25° C) ambient room temperature
0144		208VAC-50/60Hz	7.7	1.6	1518 Watt Nichrome wire with auto reset circuit breaker		
		240VAC-50/60Hz	8.9	2.13	2016 Watt Nichrome wire with auto reset circuit breaker		

AIR SPEED	MOTOR	H/P	RPM	FAN TYPE	SENSOR	AIR FLOW	STOP DELAY	AUTO SHUT-OFF	COLOR*
52.5 $\frac{ft}{min}$ [35.8 $\frac{mi}{h}$ ] (16 $\frac{m}{s}$ [57.6 $\frac{km}{h}$ ])	Brushless Type Dual Ball Bearings with 221° F (105° C) auto reset circuit breaker	1/8	3150	Single Inlet Centrifugal	Adjustable Activation Range 2" to 10" (51 to 254) Preset @ 7" ( $\pm\frac{25}{32}$ ) (178 $\pm$ 20)	142.4 CFM (241.9 $m^3/h$ )	2 Seconds	120 Seconds Maximum	White

### COLOR OPTIONS\*

Unit is supplied with white finish unless color option is specified. Specify optional color (from chart below) by adding appropriate code number suffix to standard model number (i.e. 0144-40) and indicate option by circle on correct code in chart.

CODE	COLOR	CODE	COLOR
40	Cool Grey	71	Almond
41	Black		

See Installation Template (0702051238) and  
Instructions / Owner's Manual (06092857)  
packed with unit.