

HK-2200LA Fastdry Specs



➔ [Hand Dryer Series](#) >> [Surface Mounting](#) >> [TOUCH FREE](#)

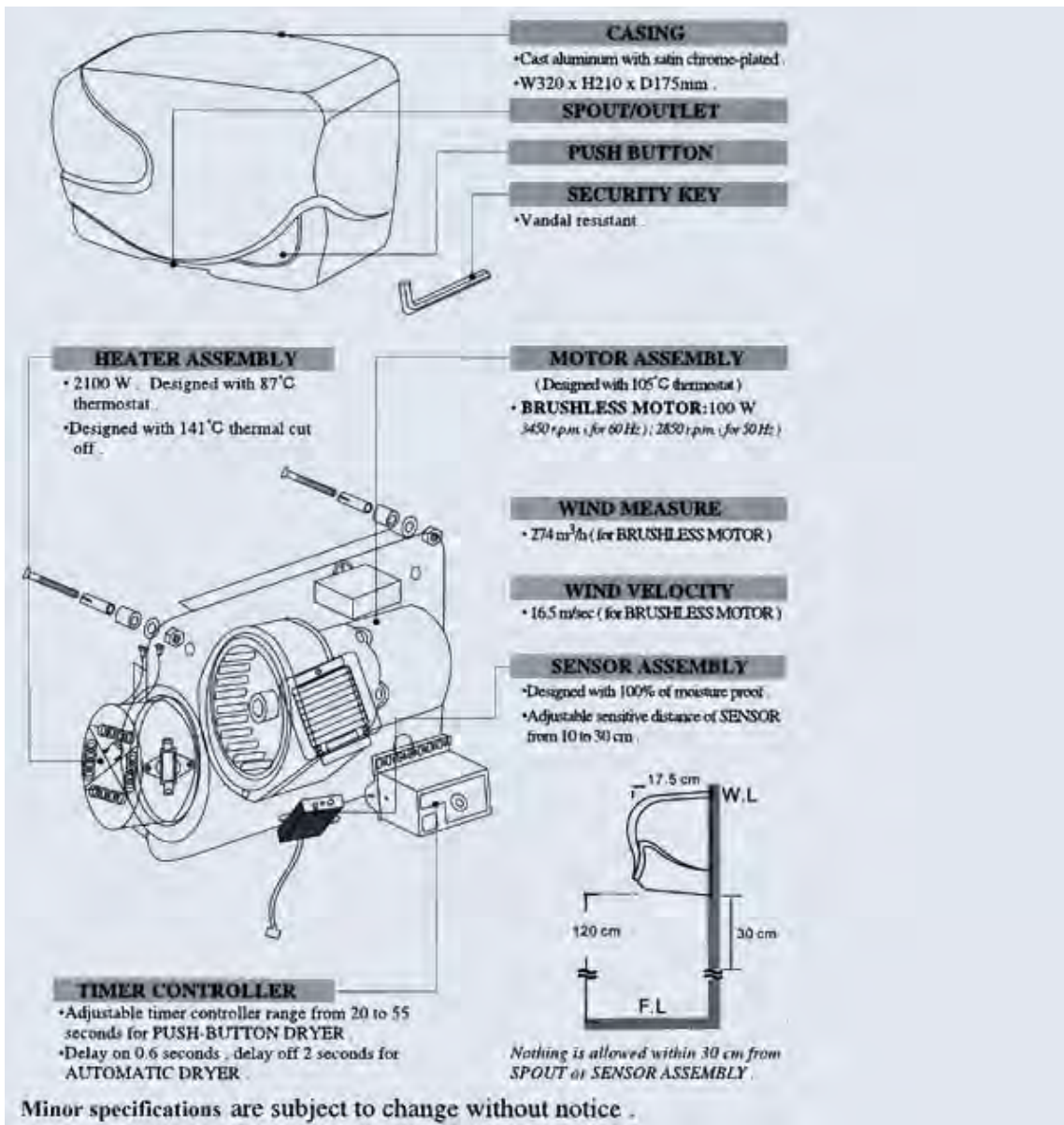
■ Item No. **HK-2200LA**

- Casing : Painted Cast Aluminum
- Material : Aluminum
- Operation Power : 2200 W
- Just put hands below the SPOUT
- Within 0.6 second, DRYER power on automatically
- Power off automatically as soon as hands removed
- (For safety, the power will be cut off automatically in case of irregular use over 120 seconds)
- PERFORMANCE: Approximately 25-second drying time (For BRUSHLESS MOTOR)
- SOUND LEVEL : 64 +/- 3 db (for BRUSHLESS MOTOR)



■ Specifications and Dimensions

- Volts : 120 Vac, Watts : 2.4 kw, Amps : 20A
- Volts: 230/240 Vac, Watts : 2.2/2.4 kw, Amps : 10/9.6A
- Housing Dimensions :
- 284 mm (W) x 248 mm (H) x 202 mm (D)
- 11-3/16" (W) x 9-3/4" (H) x 8" (D)
- Weight : 6.1 kgs (13.44lbs) unpacked, 6.4 kgs (14.1lbs) packed



HOKWANG INDUSTRIES CO., LTD.
 NO. 131, TING PING ROAD, JUEI-FANG INDUSTRIAL AREA, JUEI-FANG TOWN,
 TAIPEI COUNTY 224, TAIWAN. R.O.C.
 Tel : 881-2-2496 6425 Fax : 881-2-2496 6538
 E-mail : hokwang@hokwang.com
 Person to contact : James Hsu