

# AIRMAX™ SERIES HAND DRYERS

Models M5, XM5, DM5, DXM5, RM5, XRM5 and DXRM5



DM5-972



XRM5-Q974



XM5-674

**Facts**

- Saves up to 95% of paper towel costs*
- Reduces maintenance costs, vandalism and mess associated with paper towels*
- Saves trees from becoming paper towels*
- Reduces burden on clogged landfills*
- Uses less energy and produces fewer greenhouse gases than the production of paper towels*

**Features**

- 15 second dry time: twice as fast as other hand dryers!*
- Uses 1/2 the energy per dry of standard dryers*
- Lowest noise level among other high speed hand dryers*
- Available in a variety of cover options, push button or automatic, surface mounted or ADA compliant recessed models*

*All nozzles are in the fixed position*

**Environmental Certification**

- GreenSpec listed. Products selected for the GreenSpec directory are considered to be at the top of their class and environmentally preferable, based on BuildingGreen's criteria.*
- Can help a building earn LEED credits based on EA Credit 1 for optimized energy performance.*



www.GreenSpec.com



## AIRMAX SPECIFICATIONS

Airmax™ Models M5, XM5, DM5, DXM5, RM5, XRM5 and DXRM5 hand dryers shall be manufactured by or for World Dryer Corporation® to include a cover of 1/4" thick cast iron with porcelain enamel finish, 14 gauge polished or brushed 304 stainless steel, 14 gauge epoxy coated Cold Rolled Steel, or 1/4" thick WorldStone Thermoset Polymer. Motor shall be universal type, 1/6 HP at 12,000 RPM. Dryer shall deliver 275 cubic feet per minute of air volume (9960 LFM). Timer shall be electromechanical cam style with 25 AMP rated switch to operate dryer for 20 seconds on push button units. Infrared sensor detects hands, initiates and terminates drying on automatic units. Recessed units are made with cast iron covers and use a 16-gauge steel wall mounting box. Hand dryers shall be listed under reexamination service of Underwriters Laboratories, Inc.



## SPECIFIER'S APPROVAL

Job _____	Date _____
Model Number _____	Quantity _____
Variations _____	
Customer/Wholesaler _____	
Contractor _____	
Architect/ Engineer _____	

Electronic specifications available online: [www.worlddryer.com/specs](http://www.worlddryer.com/specs)



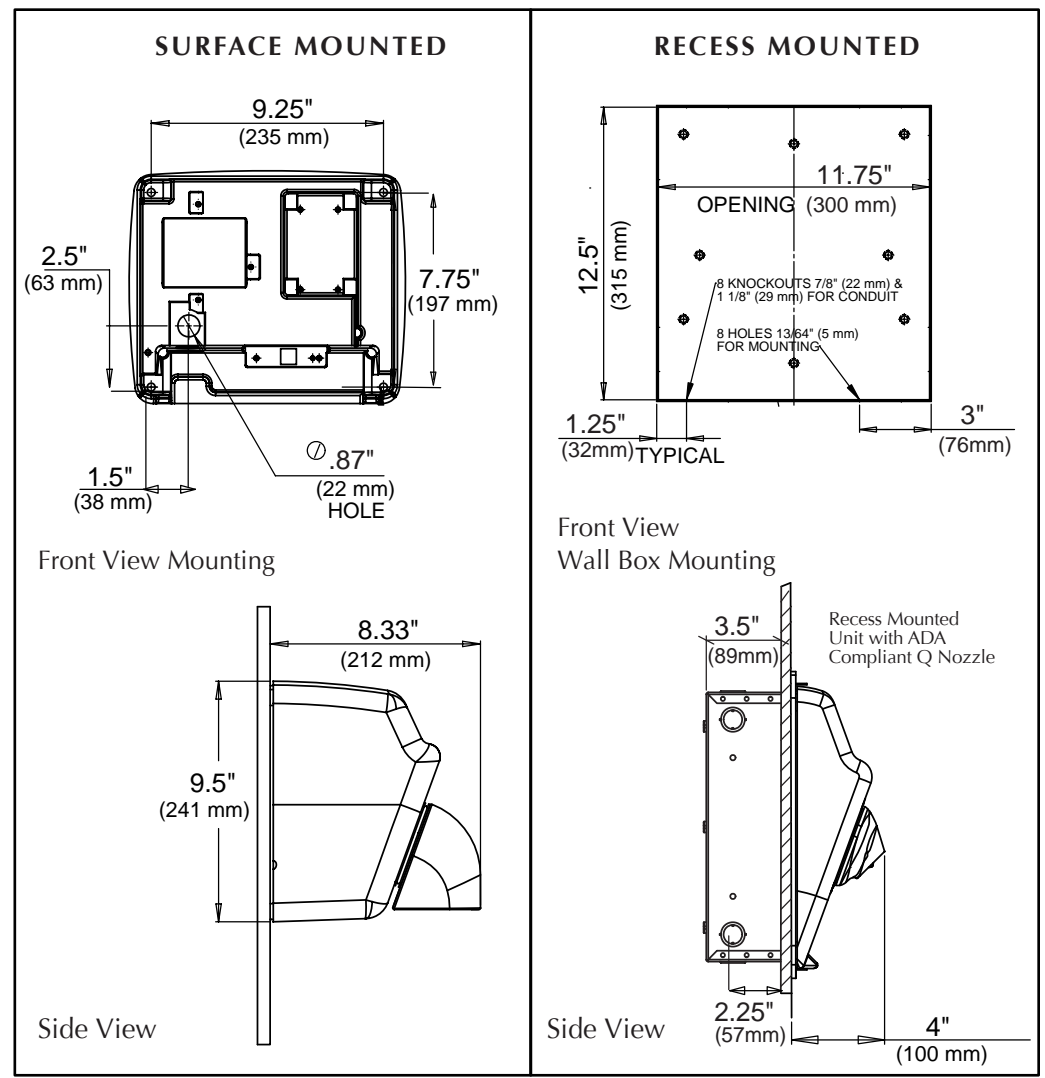
# ELECTRICAL SPECIFICATIONS AND COVER OPTIONS

STAINLESS STEEL COVER		RECESSED*		SURFACE		BRUSHED	
Activation	Automatic	Automatic	Automatic	Automatic	Automatic	Automatic	Automatic
Volts	115	208/230	230	115	208/230	230	230
Amps	20	10	10	20	10	10	10
Watts	2300	2300	2300	2300	2300	2300	2300
Freq	60Hz	60Hz	50Hz	60Hz	60Hz	60Hz	60Hz
White	XM5-974	XM5-4-974	XM548-974	White	XM5-974	XM54-974	XM548-974
Beige	XM5-468	XM54-468	XM548-468	Beige	XR5-Q468	XR54-Q468	XR548-Q468
White	XR5-Q974	XR54-Q974	XR548-Q974	White	XR5-Q974	XR54-Q974	XR548-Q974
Beige	XR5-Q468	XR54-Q468	XR548-Q468	Beige	XR5-Q468	XR54-Q468	XR548-Q468
Polished	DXM5-972	DXM54-972	DXM548-972	Polished	DXM5-972	DXM54-972	DXM548-972
Brushed	DXM5-973	DXM54-973	DXM548-973	Brushed	DXM5-973	DXM54-973	DXM548-973
Brushed	DXRM5-Q973	DXRM54-Q973	DXRM548-Q973	Brushed	DXRM5-Q973	DXRM54-Q973	DXRM548-Q973

\* Available Fall 2008  
Not available in push button

**WORLDSTONE COVER** (automatic surface mounted units only)  
Use a cast iron model number with the suffixes listed below. Example: XM5-668  
674 - White, 668 - Beige, 662-Ebony, 655-Granite Grey

**PUSH BUTTON MODELS,**  
Remove the "X" from the model number. Example: M5-975  
(push button not available in stainless steel recessed units)



Drawings not to scale

## PLANNING GUIDE

**QUANTITY ESTIMATE**  
Average traffic: 1 dryer per 2 washbasins

Heavy traffic: 1 dryer per washbasin  
54" Bradley sink: 4 dryers per sink

**ADA COMPLIANCE** ♿  
Recessed dryers come standard with "Q" nozzle to comply with ADA 4" protrusion requirements.

**INSTALLATION**  
Hand dryers require a dedicated 20 AMP circuit, and must be properly grounded. GFI Circuit protection is recommended. One side of dryer should be mounted to a stud.

**DRYER PLACEMENT**  
Hand dryers should be placed at least 2 feet apart, near but not over the washbasin. In congested areas dryers should be placed to create a traffic flow from wash basin to dryer to exit. Automatic dryers should be placed more than 18" above or away from projections, which may interfere with the operation of the automatic sensor.

## MOUNTING HEIGHTS

	Surface	Recessed
Men	46" (117cm)	42" (107cm)
Women	44" (112cm)	40" (102cm)
Children ages 3-7	32" (81cm)	28" (71cm)
Children ages 8-10	36" (91cm)	32" (81cm)
Children ages 11-13	40" (102cm)	36" (91cm)
Children ages 14-17	44" (116cm)	40" (102cm)
Disabled	37" (94cm)	34" (86cm)

Measured from floor to the bottom of the unit

## COVER MATERIALS

**CAST IRON COVERS** provide the ultimate in durability and vandal-resistance. The 1/4" thick cast iron with porcelain enamel construction makes this option suitable for areas such as train and bus stations, schools, theaters, airports, and prisons.

**STEEL COVERS** are an excellent alternative. They are both durable and economical. Grade 304 stainless steel covers are vandal resistant and offer a touch of elegance.

**WORLDSTONE COVERS** provide a durable, cost effective option to traditional metal covers. Available for AirMax, surface mounted, automatic hand dryers. Embedded with antimicrobial agents to promote hygiene. Material originally developed for use in high temperature, demanding aerospace and automotive applications.

## WARRANTY

10 year limited  
5 year on motor and sensor  
3 year on motor brushes

## MEASUREMENTS

Mounting Style	UNIT MEASUREMENTS	SHIPPING WEIGHT			SHIPPING DIMENSIONS
		Iron	Steel	WorldStone	
Surface	11-3/8" W x 9-5/8" H x 8-1/8" D	29 lbs	18 lbs	16 lbs	13" L x 10" W x 11-1/2" H
Recessed	13-1/8" W x 13-7/8" H x 4" D	35 lbs	---	---	15" L x 15" W x 11-1/4" H